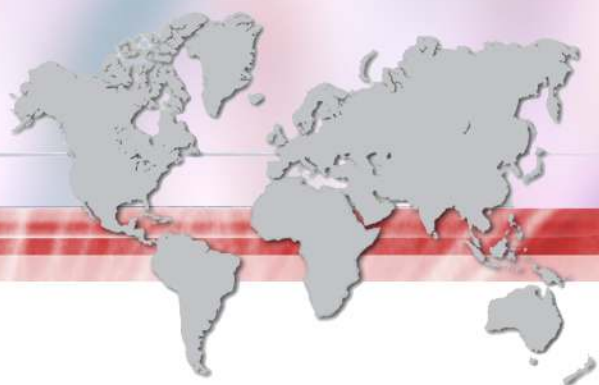


WELDING ROBOT

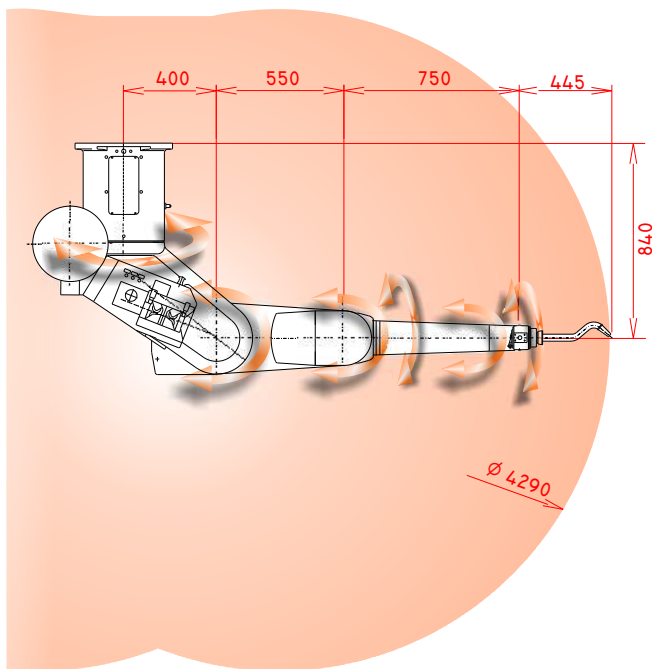
TYPE RTi370

igm



WELDING ROBOT

TYPE RTi370



The robot consists of 6 rotational axes in rigid aluminium cast design, for mounting in upright or suspended position. The angular projecting axis, the high degree of freedom of all articulated axes and the slender, quick-reacting arms are the main characteristics which assure the robot's large operating range.

An optimum angle of the welding torch is guaranteed also in difficult to access work piece positions.

As the RTi 370 robot is specially designed for arc welding, the superior mechanical design creates an outstanding advantage regarding accessibility of narrow seams and circular welding.

Working range of welding robot, type RTi 370

	Nominal rotation range	Nominal speed
Axis 1:	- 270° / + 270° = 540°	102°/s
Axis 2:	- 150° / + 78° = 228°	130°/s
Axis 3:	- 146° / + 147° = 293°	195°/s
Axis 4:	- 182° / + 182° = 364°	312°/s
Axis 5:	- 160° / + 160° = 320°	275°/s
Axis 6:	- 370° / + 370° = 740°	408°/s

Features of welding robot, type RTi

- proven and successful mechanic design
- maintenance free AC servo motors
- self-balanced swivel axes for high dynamics
- back-lash free gears
- all motors fully enclosed within robot frame
- unique hollow shaft on wrist joint

